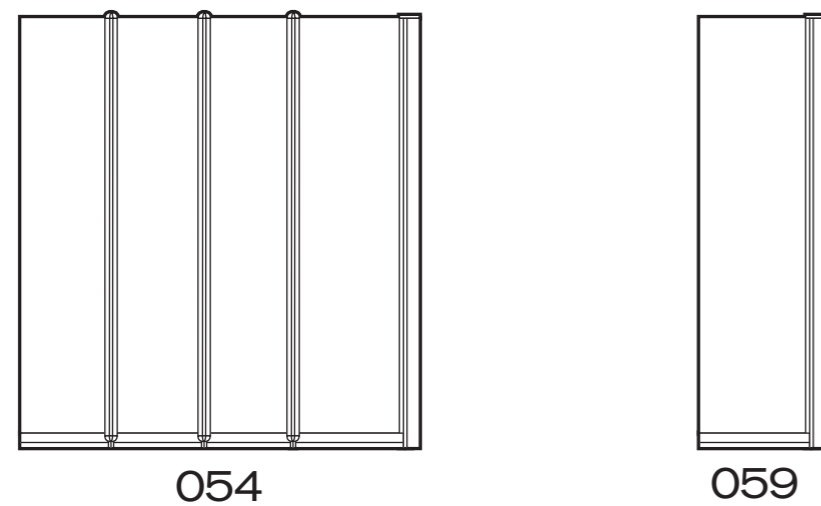
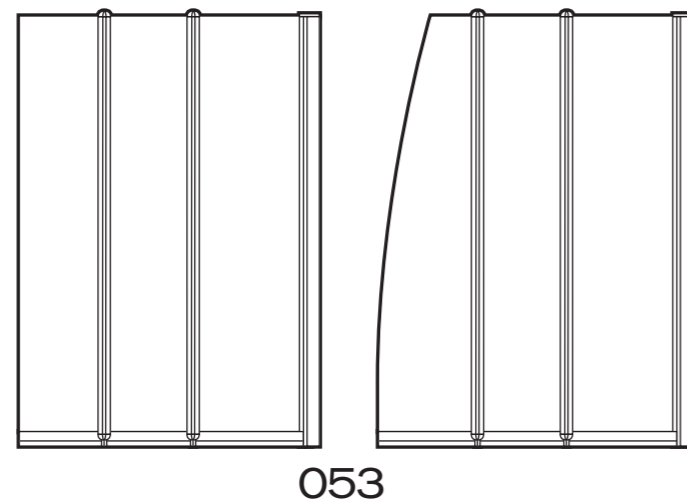
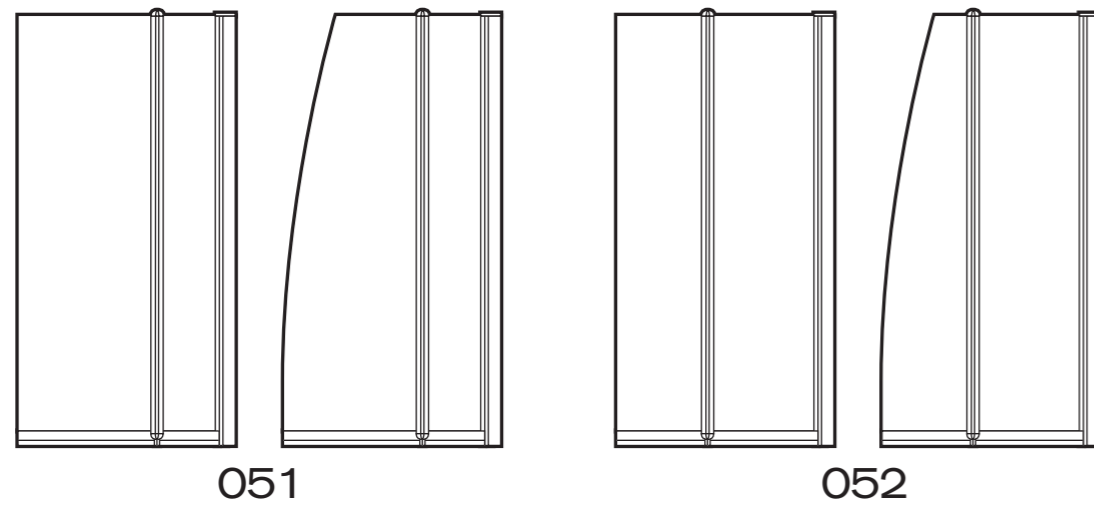
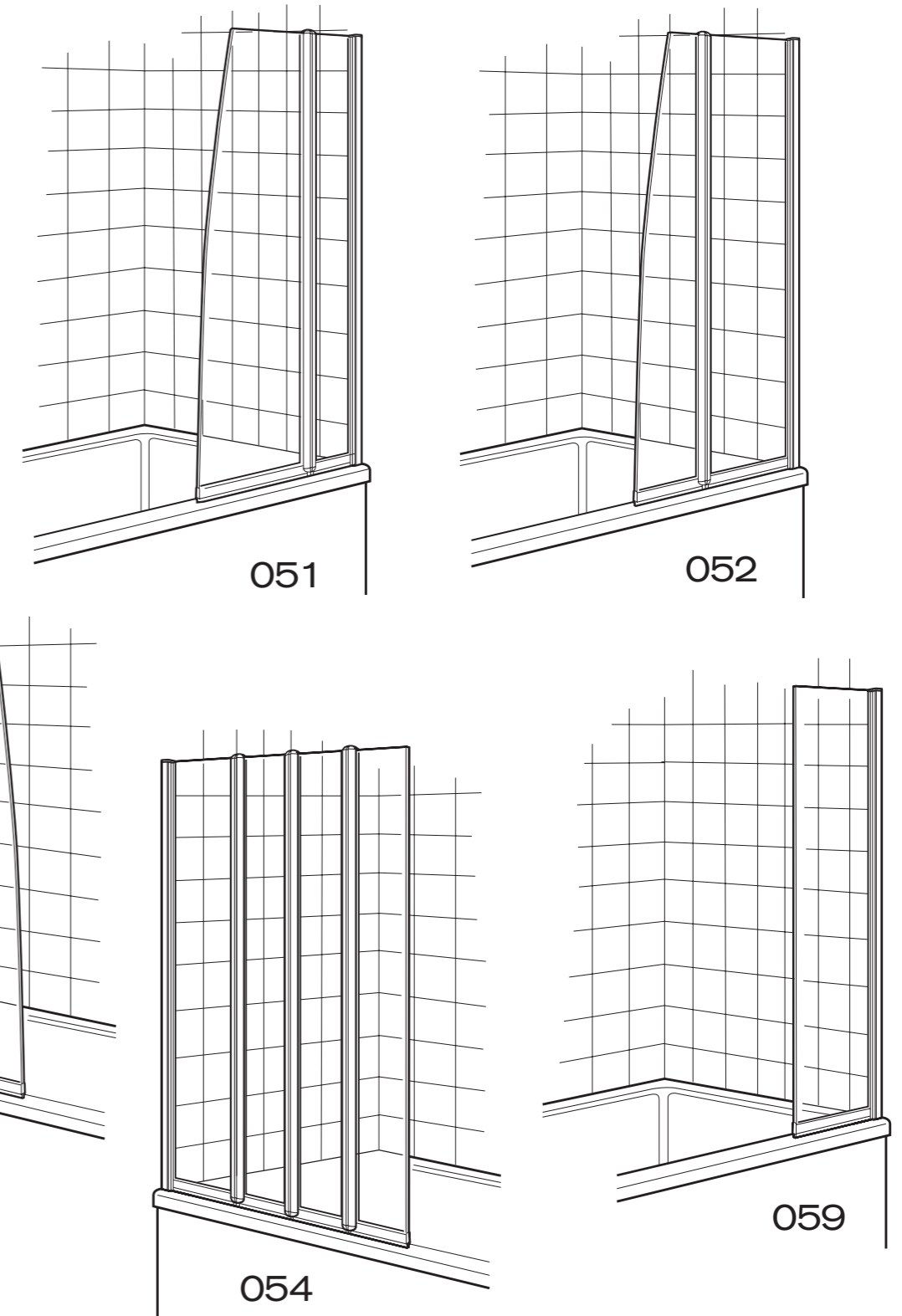


Models covered by this instruction



Bath Screens

(051, 052, 053, 054, 059)



Kohler Daryl Limited
 Alfred Road, Wallasey, Wirral, CH44 7HY England
 Tel 44 (0)151 606 5000 Fax 44 (0)151 638 0303
www.daryl-showers.co.uk E-mail Daryl@daryl-showers.co.uk

Fitting Instructions

Introduction

Congratulations on purchasing a Daryl Showering product.

The following pages aim to provide comprehensive installation instructions, plus advice on how to care and maintain your product.

We recommend that the unit is installed by a qualified Plumber or Engineer.

Please retain this document for future reference.

Note: Due to our desire to always improve our products, Daryl reserve the right to change specification without prior notice



Safety Precautions

We strongly recommend that all glass panels are moved by a minimum of two people and that protective packaging along the glass edges is kept in place for as long as possible to prevent damage before installation



Wear protective footwear when lifting panels



Wear Safety glasses when drilling

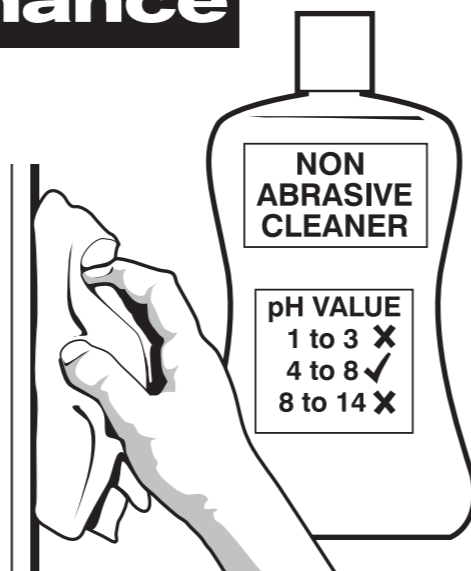
Care & Maintenance

The unit should be cleaned regularly.

Use a non abrasive cleaner (ideally with a pH value of 4 to 8) applied with a soft cloth.

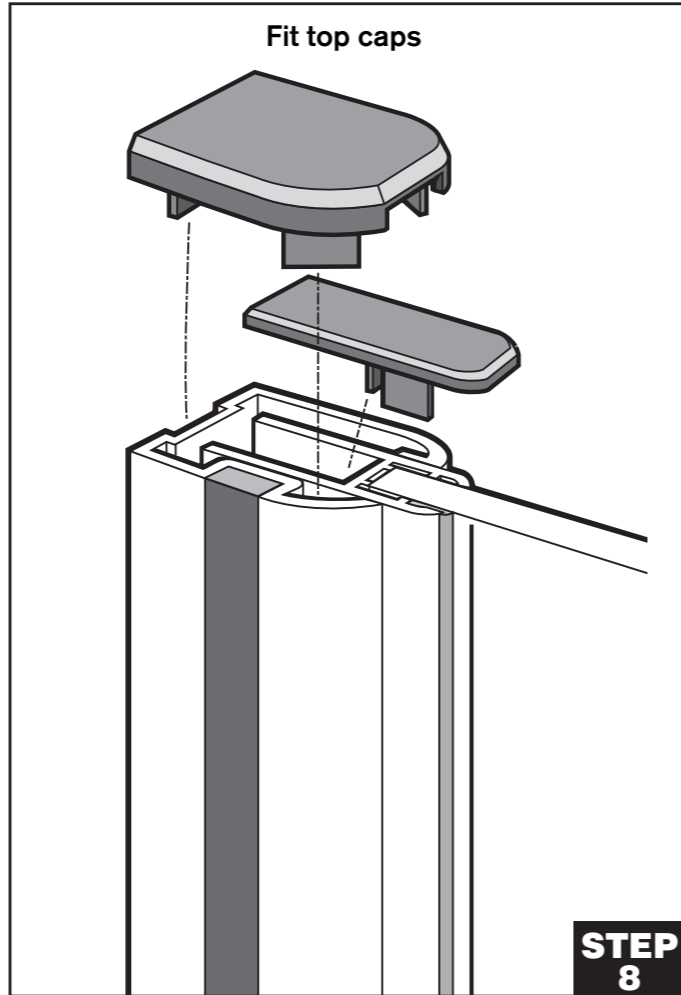
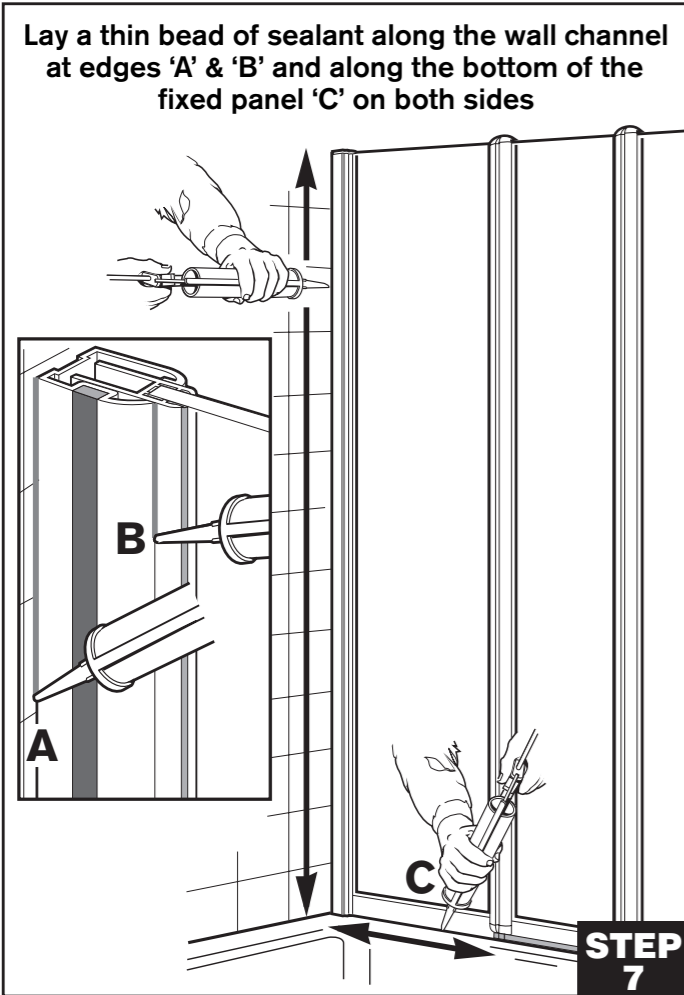
Under no circumstances should scourers or powerful detergents be used as these can damage the metallic surface of the frame and also tarnish the glass coating.

If fitted correctly the unit should not require any maintenance other than cleaning. If problems occur contact the Daryl Technical Helpline
Tel: 0151 606 5000



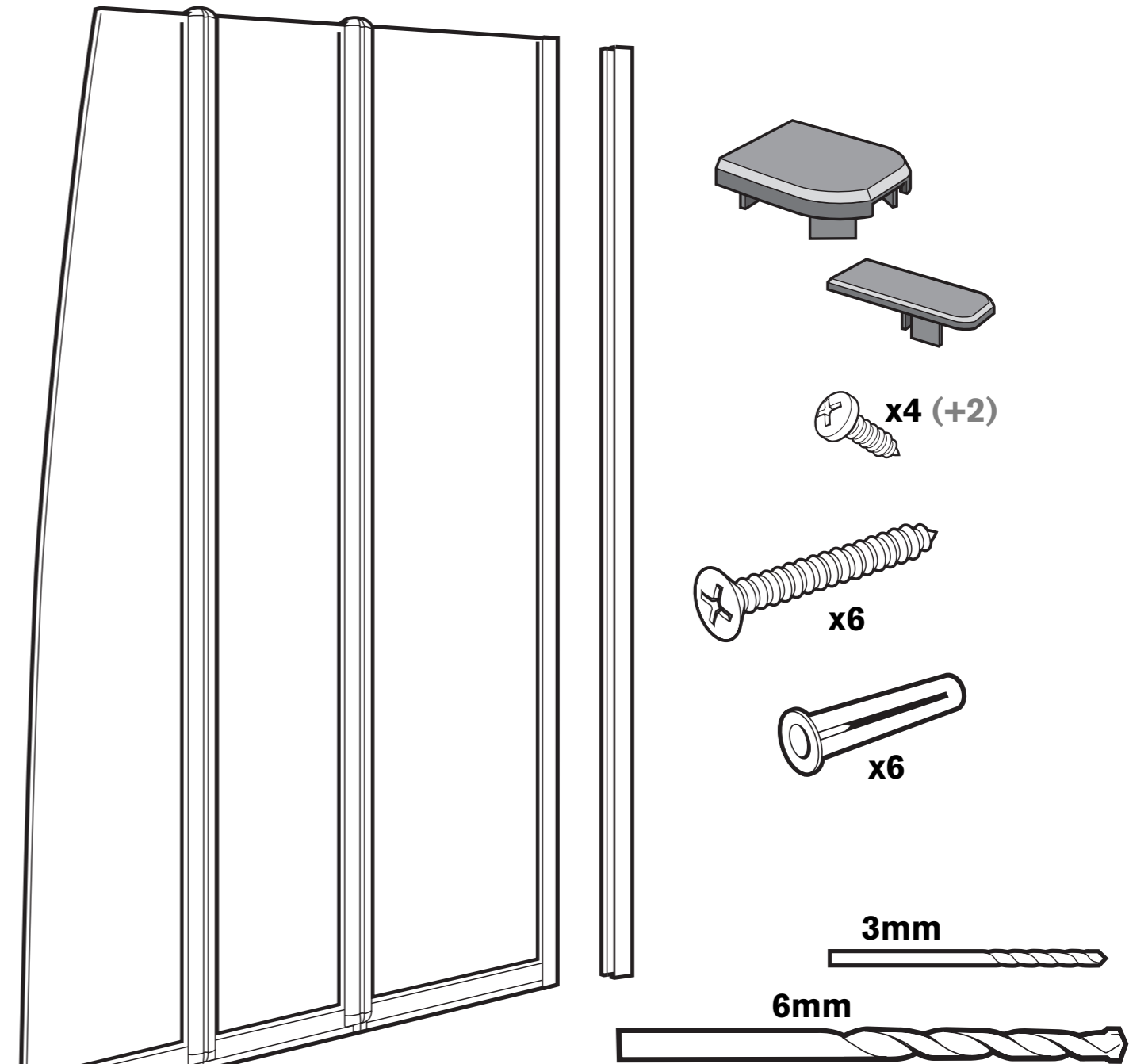
Kohler Daryl Limited

Alfred Road, Wallasey, Wirral, CH44 7HY England
Tel 44 (0)151 606 5000 Fax 44 (0)151 638 0303
www.daryl-showers.co.uk E-mail Daryl@daryl-showers.co.uk



Components

Before installation check that all components are correctly supplied. If any parts are missing please ring the helpline. Tel: 0151 606 5000



Note:
053 Version Shown

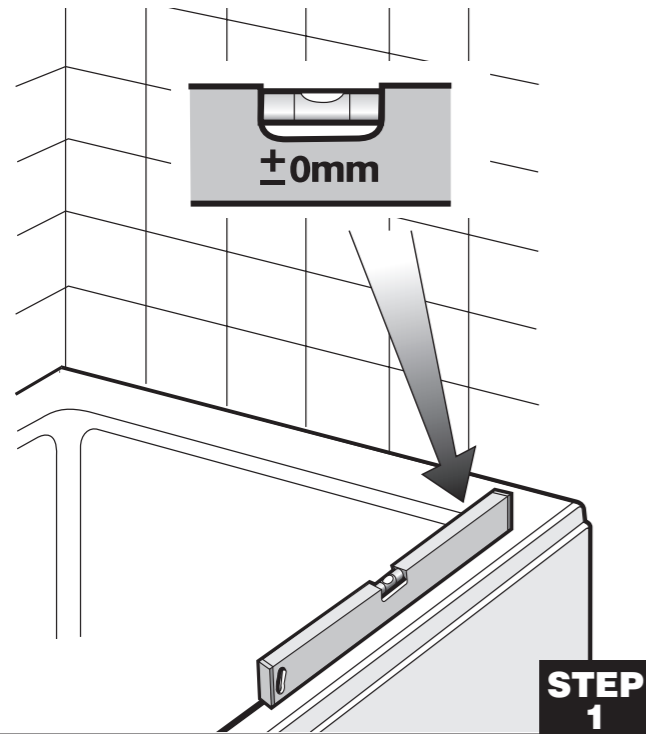
Model	WIDTH EXTENDED	WIDTH FOLDED
051	900mm	N/A
052	900mm	550mm
053	1250mm	550mm
054	900mm	300mm
059	220mm	N/A



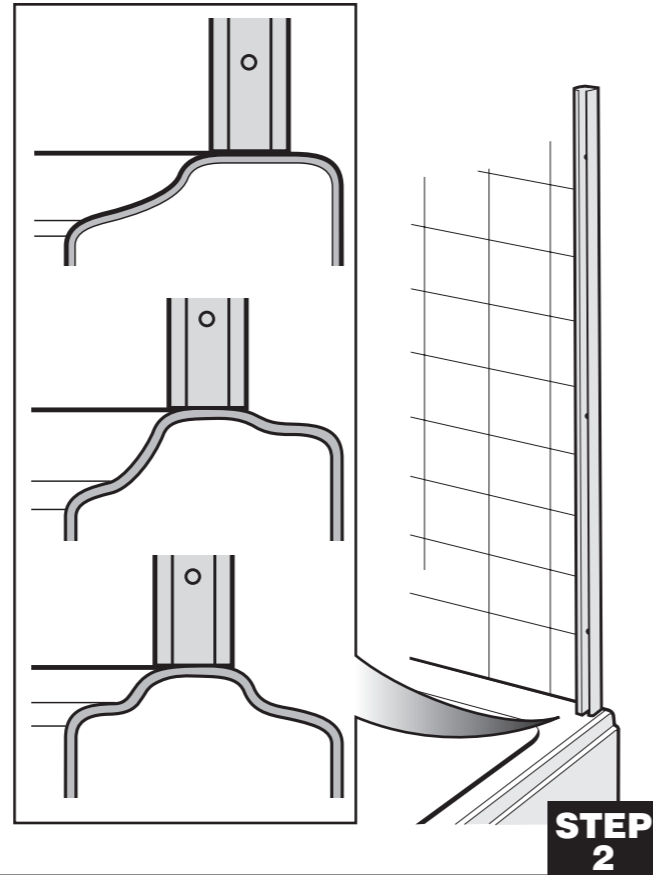
44 (0)151 606 5000

FITTING INSTRUCTIONS

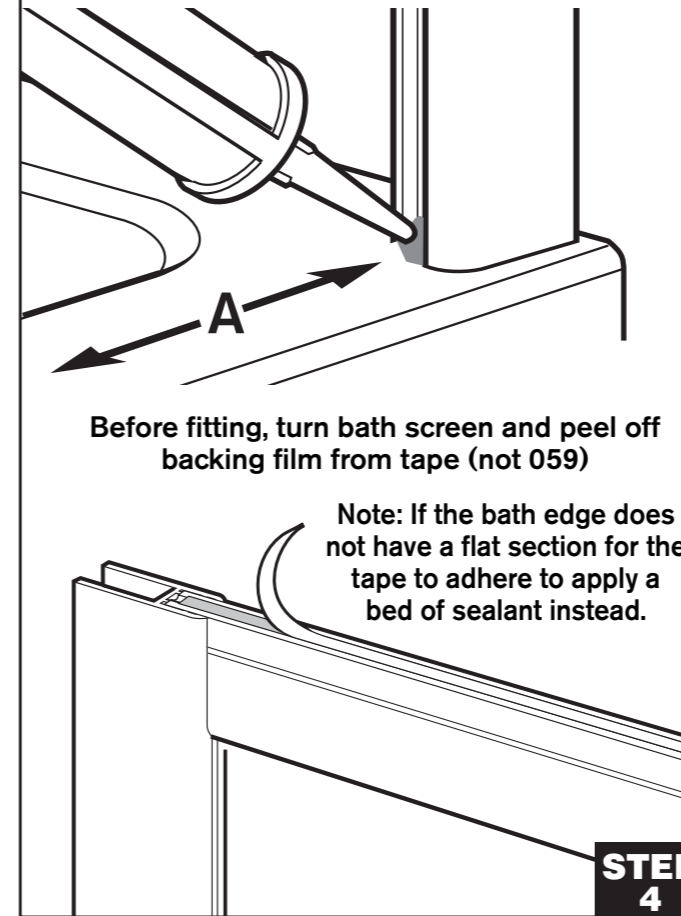
IMPORTANT
Bath must level in all planes.
If front side is not level the screen will not install properly.



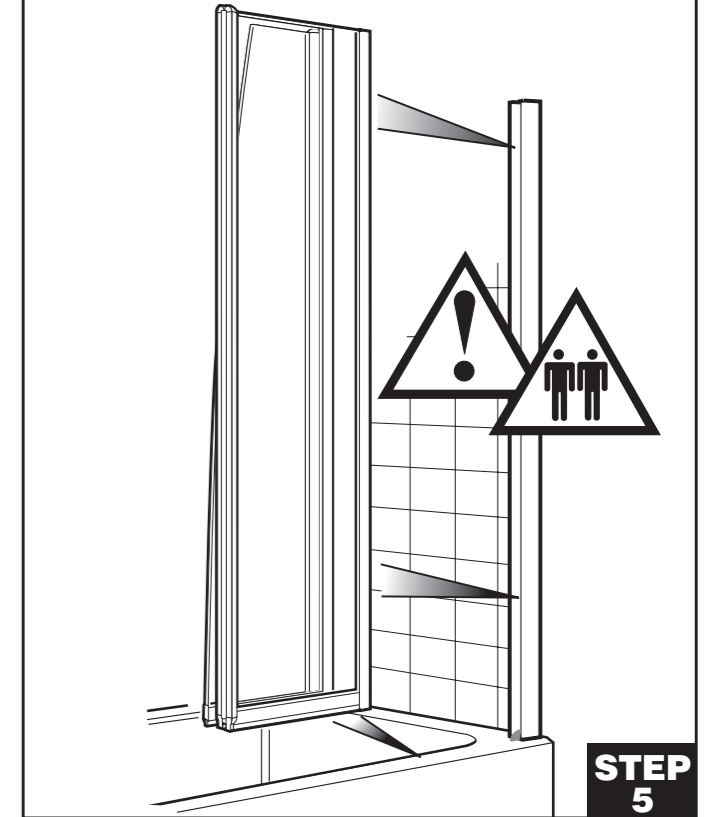
Always fit wall channel to the highest point on bath side



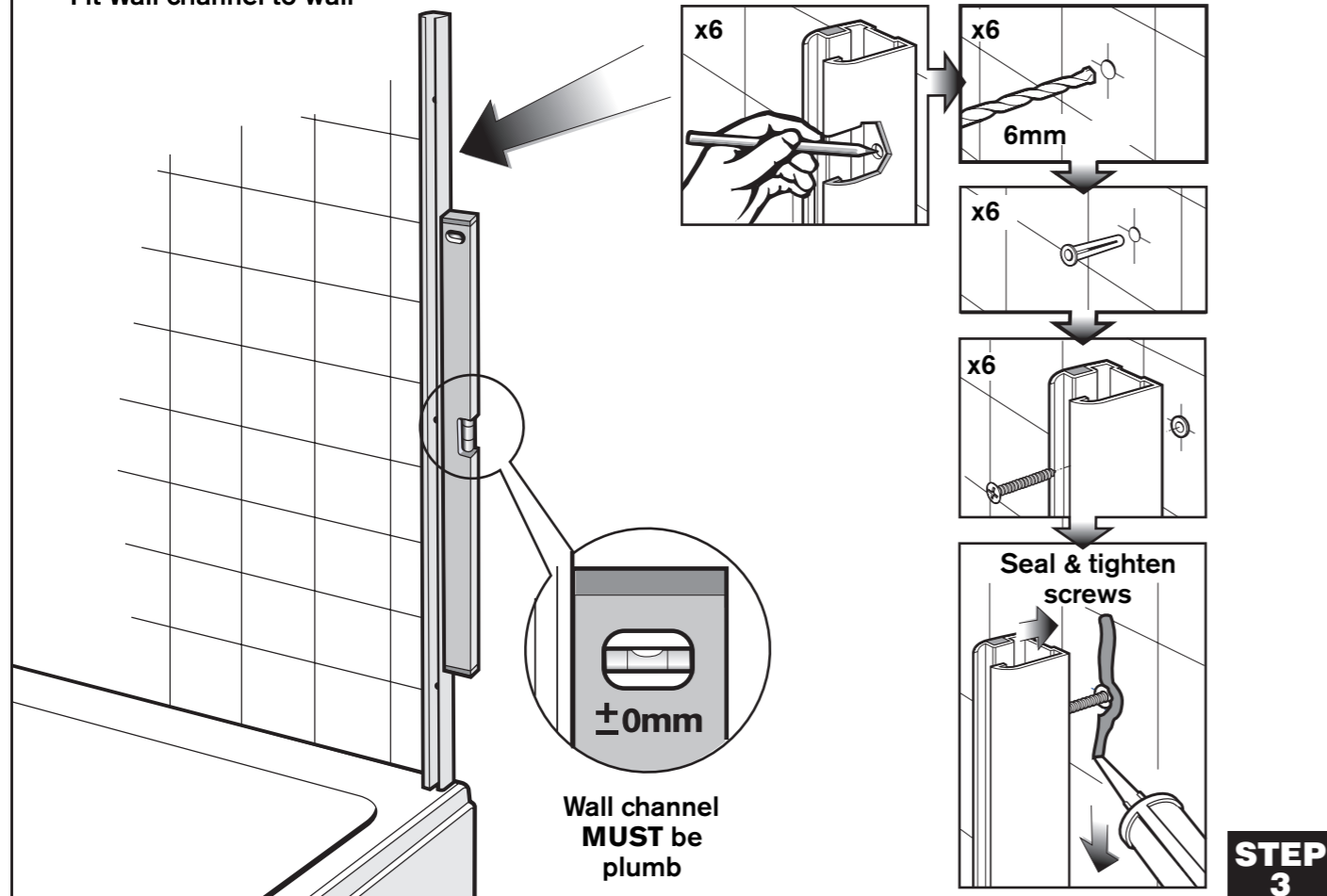
Clean & dry top of bath 'A'.
Place a blob of sealant in the wall channel



Fold the screen (if applicable). One person carefully lift the screen and place it in the wall channel. At the same time a 2nd person needs to guide the bottom edge so that it is parallel to the front edge of the bath as it is being stuck down.



Fit Wall channel to wall



Pull back seal, drill holes through wall channel and secure screen with screws

