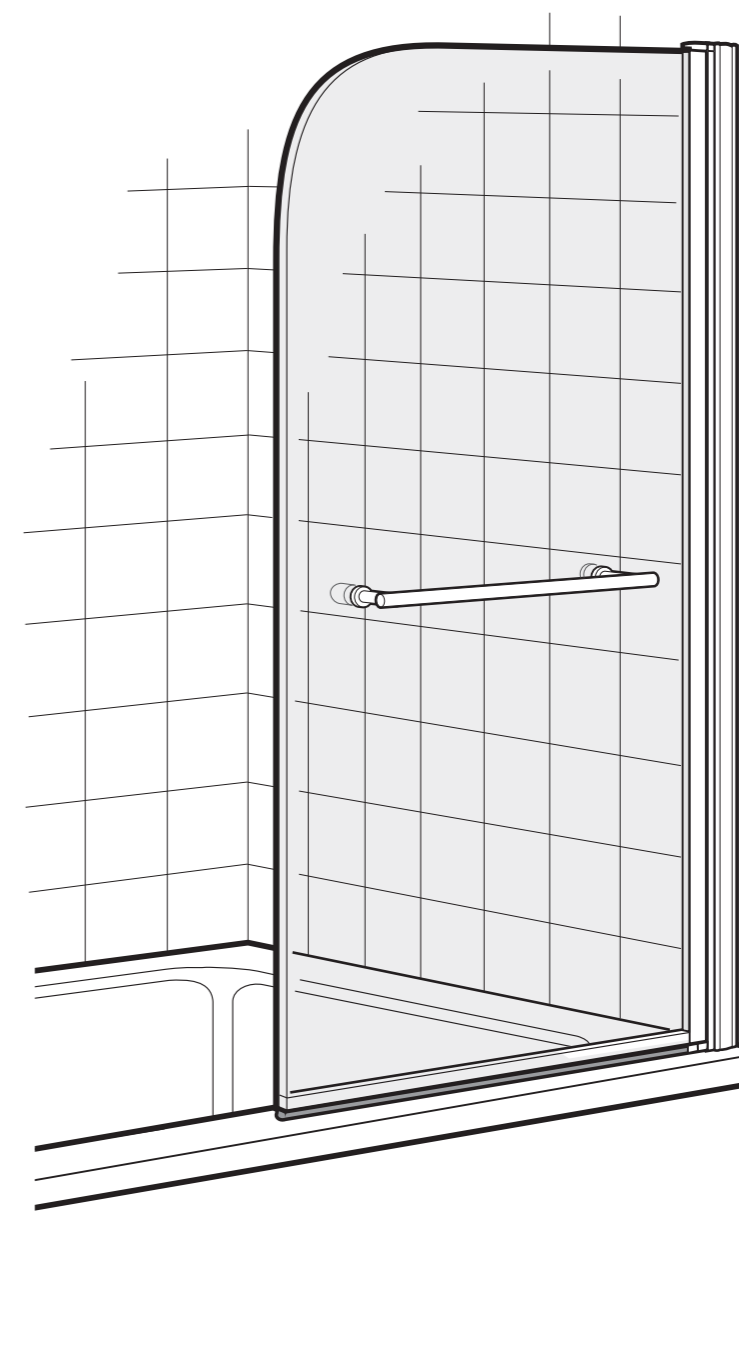


aroco showering
by DARYL

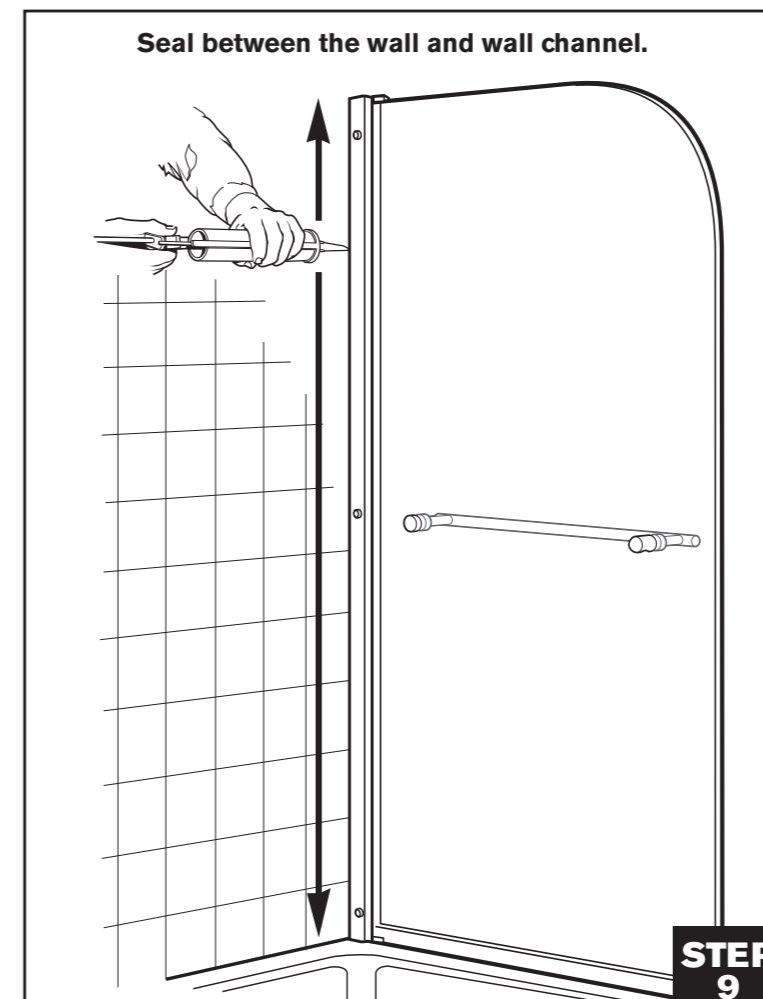
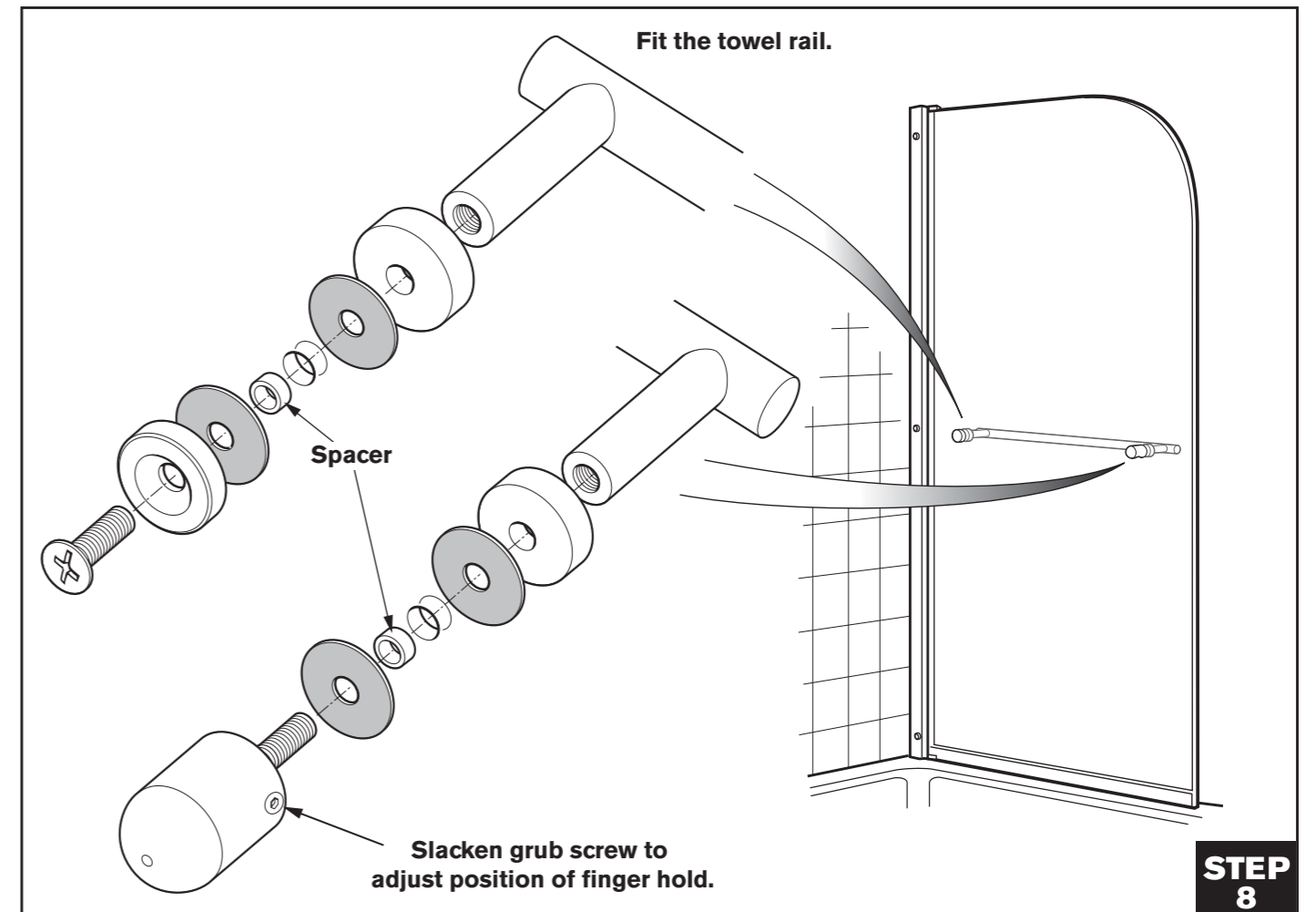
Curved Bath Screen

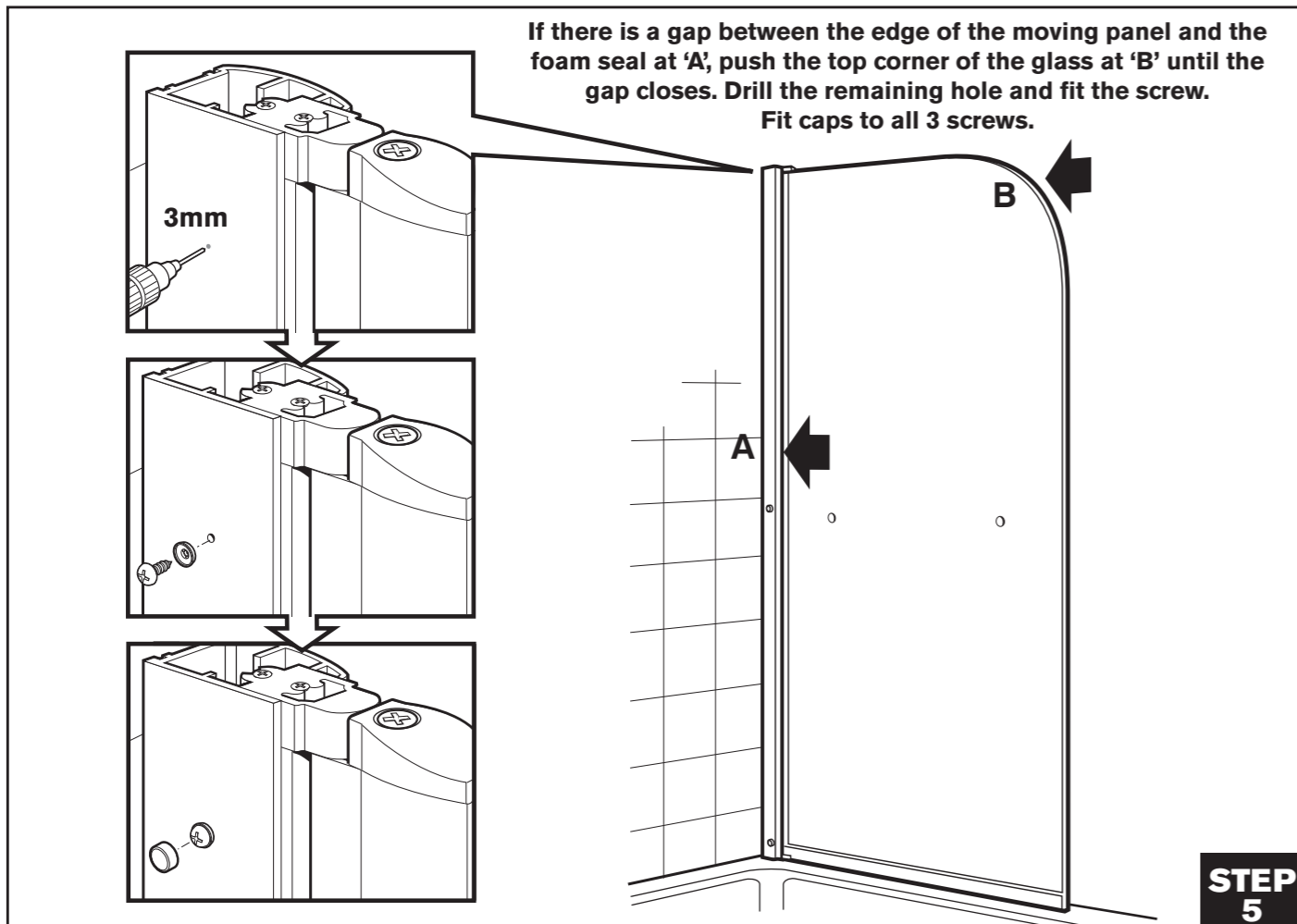
(with Towel Rail)
(850)



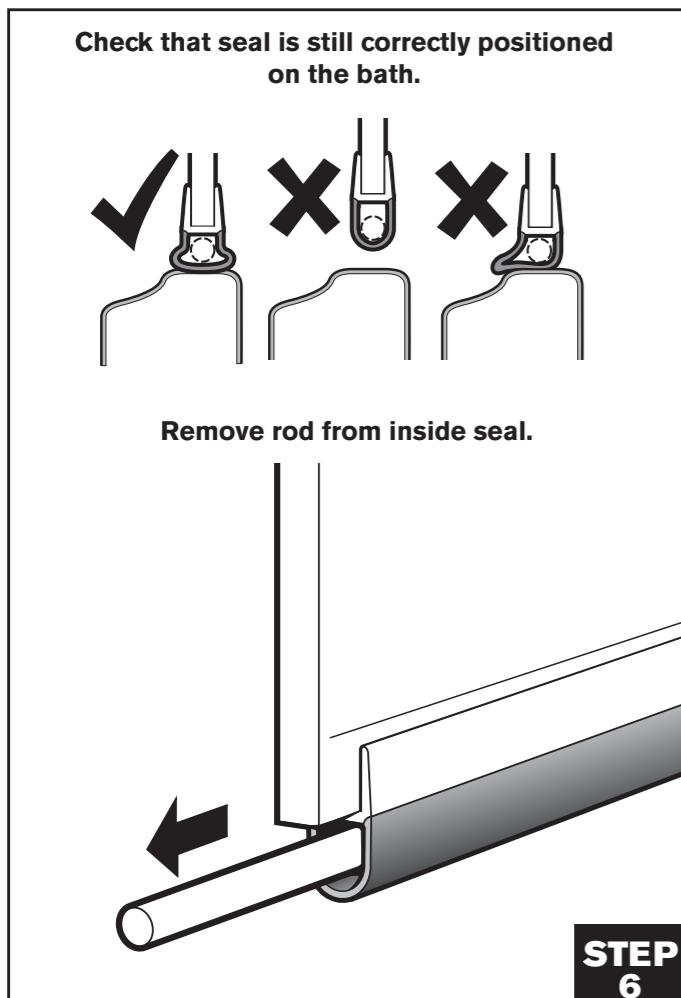
Kohler Daryl Limited
Alfred Road, Wallasey, Wirral, CH44 7HY England
Tel 44 (0)151 606 5000 Fax 44 (0)151 638 0303
E-mail aroco@aroco-showers.co.uk
www.daryl-showers.co.uk

Fitting Instructions

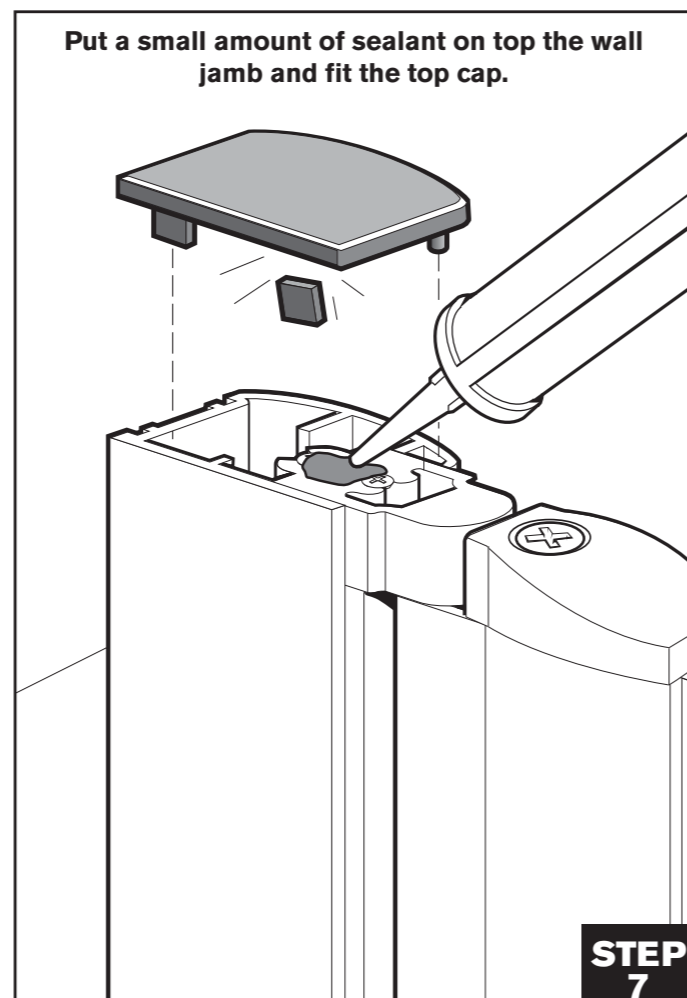




STEP 5



STEP 6



STEP 7

Introduction

The following pages aim to provide comprehensive installation instructions, plus advice on how to care and maintain your product.

We recommend that the unit is installed by a qualified Plumber or Engineer.

Please retain this document for future reference.

Note: Due to our desire to always improve our products, we reserve the right to change specification without prior notice.



Safety Precautions

Caution: Care should be taken when drilling into walls and floors to avoid any hidden pipes or wires.

We strongly recommend that all glass panels are moved by a minimum of two people and that any protective packaging along the glass edges is kept in place for as long as possible to prevent damage before installation.



Wear protective footwear when lifting panels



Wear safety glasses when drilling

Care & Maintenance

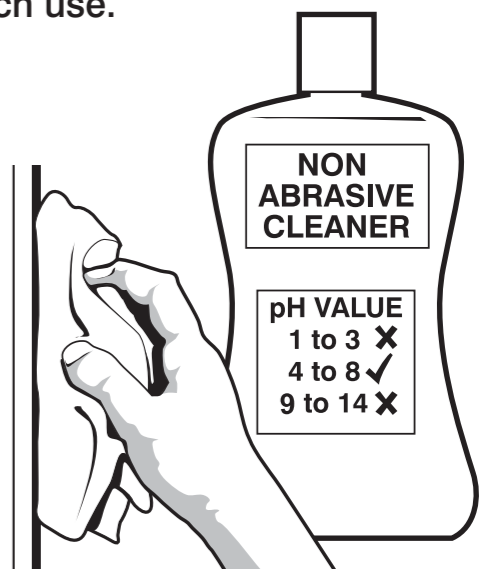
The unit should be wiped down immediately after each use.

Use a non abrasive cleaner with a pH value between 4 & 8, applied with a soft cloth. A 50:50 solution of vinegar & water can be used on lime scale deposits, rinsing off thoroughly after use. Do not use alkalis such as caustic soda.

Under no circumstances should scourers or powerful detergents be used as these can damage the metallic surface of the frame and the surface of the tray or bath.

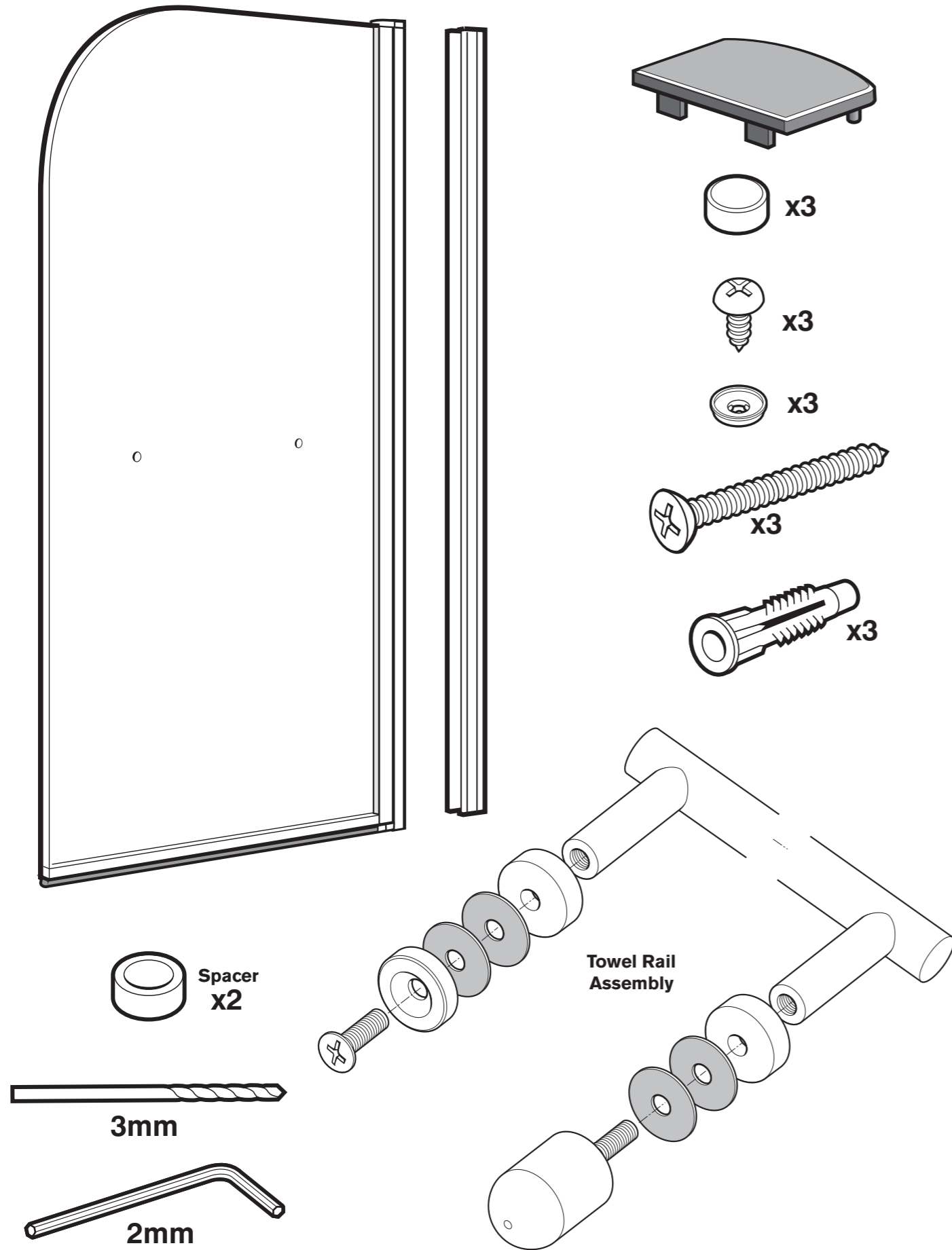
If fitted correctly the unit should not require any maintenance other than cleaning. If problems do occur contact the Technical Helpline

Tel: 0151 606 5000



Made in the UK by: **Kohler Daryl Limited**
 Alfred Road, Wallasey, Wirral, CH44 7HY England
 Tel 44 (0)151 606 5000 Fax 44 (0)151 638 0303

Components



Before installation check that all components are correctly supplied.
 If any parts are missing please ring the helpline. Tel: 0151 606 5000

