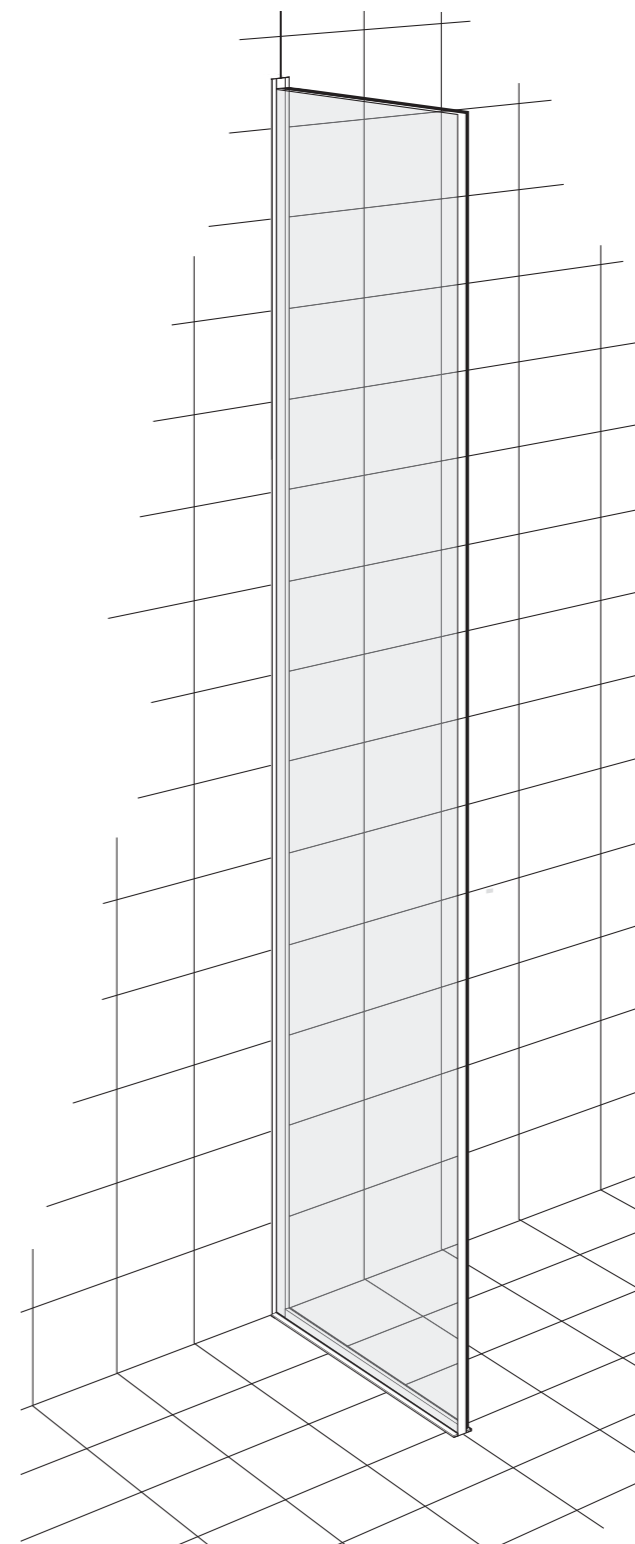


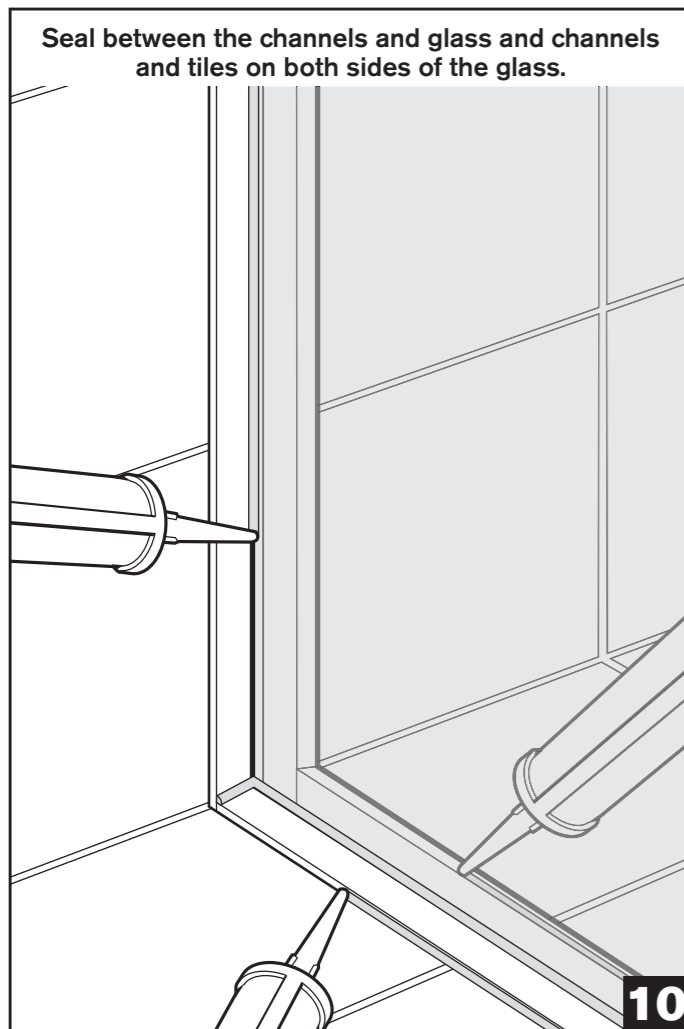
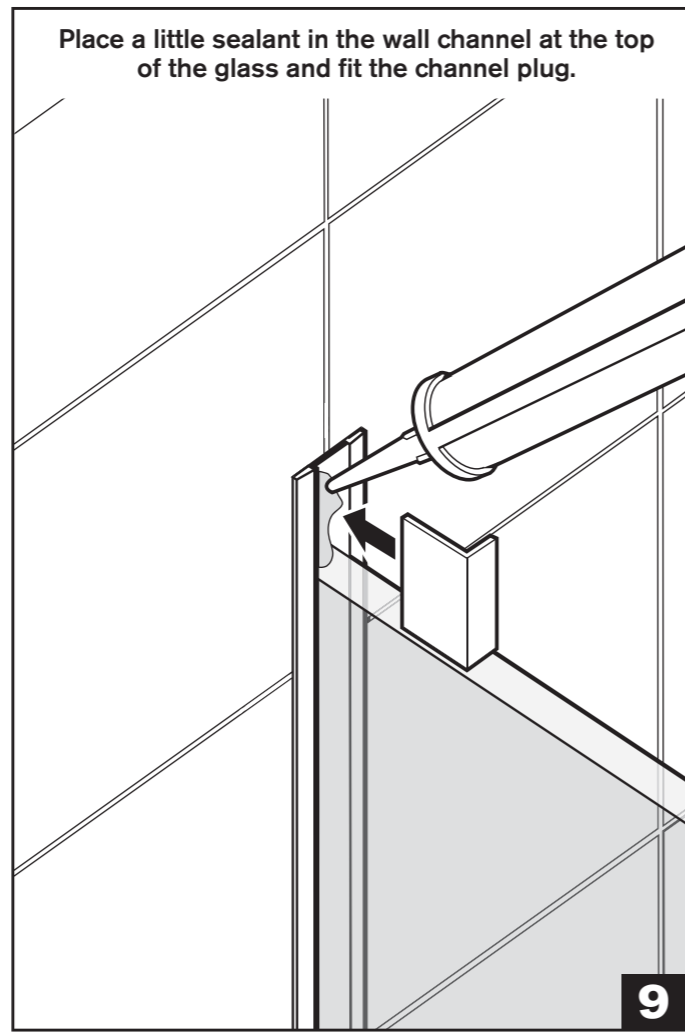
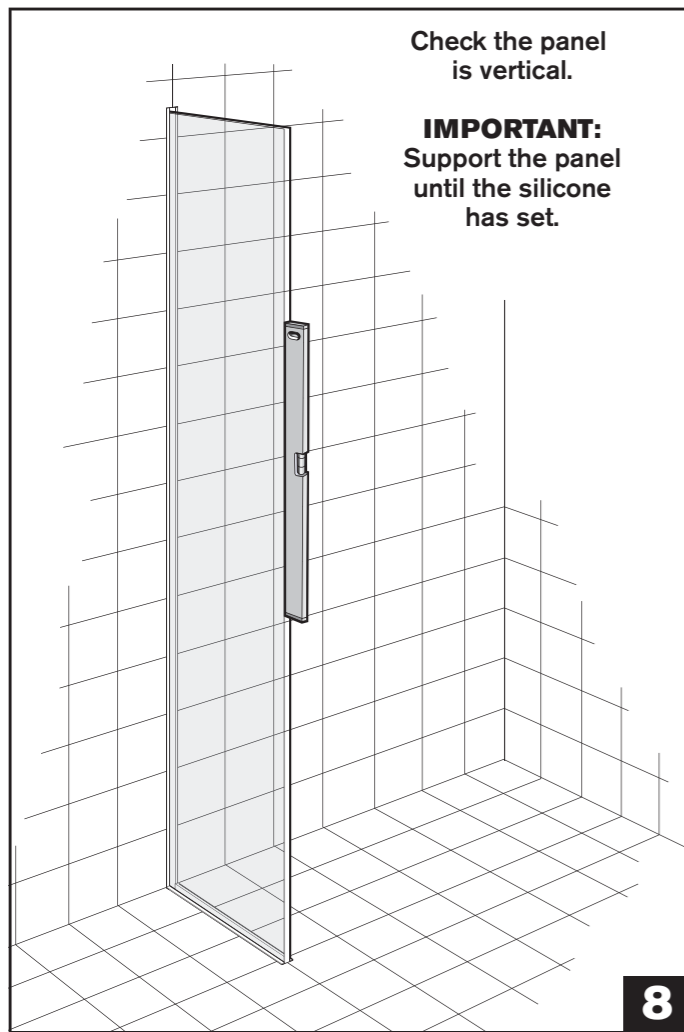


# Minima Bespoke Frameless Divider

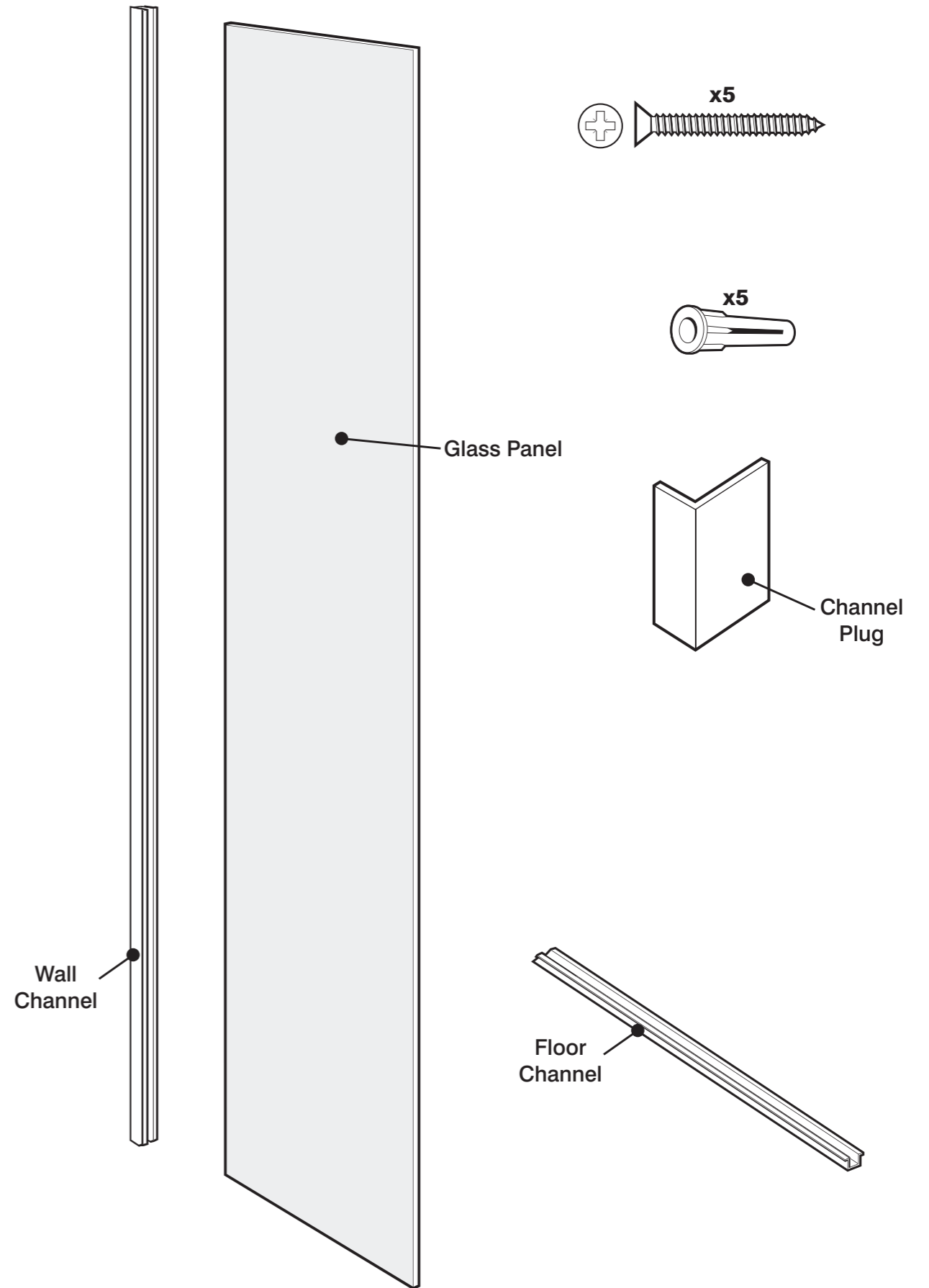


**Fitting Instructions**





# COMPONENTS



# FITTING INSTRUCTIONS

**NOTE:**  
The vertical wall channel is deeper (25mm) than the bottom channel (10mm)

Wall channels **MUST** be plumb

Mitred section should be at the bottom.

45°

**1**

The position of the wall channel is set by the fitter.

**IMPORTANT**  
The wall must be plumb where the wall channels are fitted and the floor perfectly level where the bottom channels will be placed.

With the waterproof membrane in place put the outside edge of the wall channel against the mark on the wall.

Make the wall channel plumb.

Mark the position of the fixing holes on the wall making sure the lowest hole is above the waterproof membrane. Drill a new hole in the wall channel if necessary.

Remove the wall channel and drill 5 x 8mm holes at the marked points.

Fit 5 wall plugs.

Screw the wall channel to the wall.

Check the wall channel is plumb.

x5

6mm

x5

x5

x5

Lay a bead of sealant on the floor.  
Place the floor channel over the sealant and against the wall channel ensuring the mitred corners join.

**2**

Carefully fit the panel into the channels.  
**Note:** The black edging strip goes to the bottom.

**3**

**Caution**

Check the panel is vertical.

**Caution**

**4**

Carefully remove the glass panel.  
Where necessary, line the wall with board to give an overall depth of board, tile and adhesive of 25mm.  
Tile the enclosure. The tiles fit under the lip of the channels which may require the fixing screws loosening.

25mm

**5**

Lay a bead of sealant inside the wall channel and floor channel along their length.

**6**

Carefully fit the glass panel by placing in the wall channel first "1", sliding the panel downward into the floor channel "2", finally slide the panel sideways to align with the outer edge of the floor channel "3".

**NOTE:**  
The black edging strip goes to the bottom and the coated side of glass goes to the inside.

**Caution**

**7**